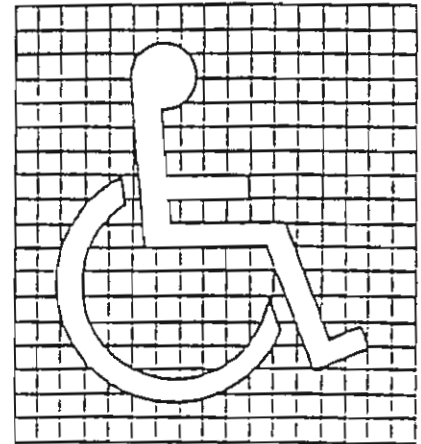


# CALIFORNIA STATE ACCESSIBILITY STANDARDS

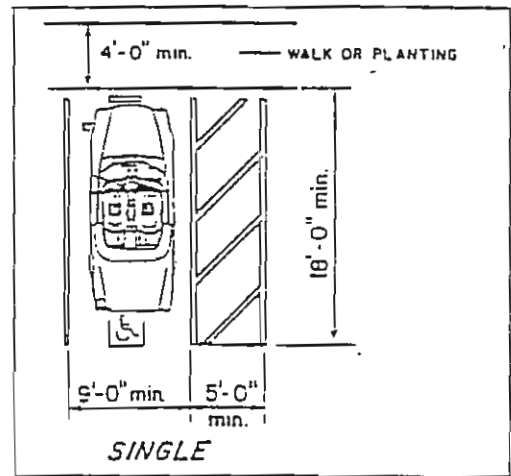
## INTERNATIONAL SYMBOL OF ACCESSIBILITY:

1. Symbol shall be white figure on blue background.
2. A surface identification at all handicapped parking stalls shall be 3' x 3' and shall be located so that it is visible to a traffic enforcement officer when a vehicle is properly parked.



## PARKING NOTES - Section 7102

1. Handicapped space shall be as near as possible to the primary entrance of building.
2. Handicapped space must permit use of either of car doors.
3. Bumpers are required when no curb barrier is provided which will prevent encroachment of cars over walkways.
4. Wheelchair users must not be forced to go behind parked cars other than their own.
5. When only one space is provided it shall be 14' wide, outlined to provide a 9' parking area and a 5' loading and unloading area on the passenger side of the vehicle.



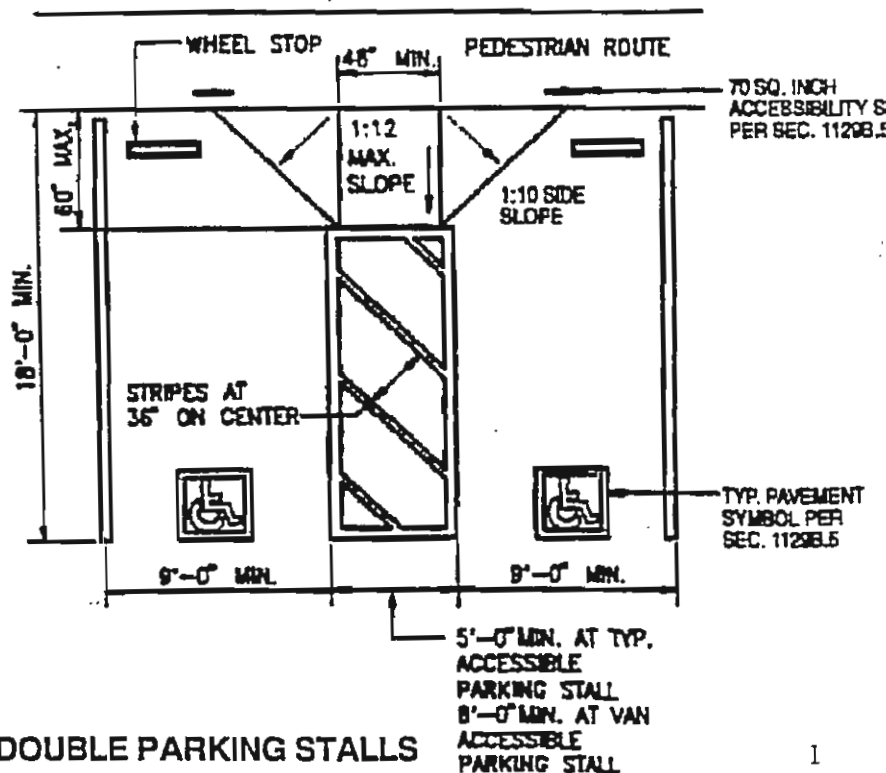
6. When more than 1 space is required, 2 spaces can be provided within a 23' wide area.

7. Each parking space is required to be at least 18' long.

8. Surface slopes of parking areas for the disabled should be minimal, but are required not to exceed 1/4 in/ft in any direction.

9. Ramps shall not encroach into any parking space.

10. When less than 5 parking spaces are provided at buildings and facilities, one shall be sized in accordance with item 5 but need not be identified for handicapped/disabled use only.



## SIGNAGE - Section 7102 (f)

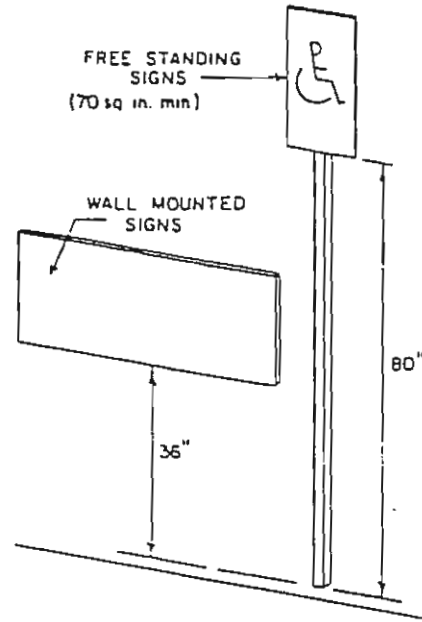
Each parking space shall have a permanent (70 sq.in. min.) HANDICAPPED PARKING sign.

Free standing signs located at interior end of a parking space shall be mounted a minimum of 80" above finish grade.

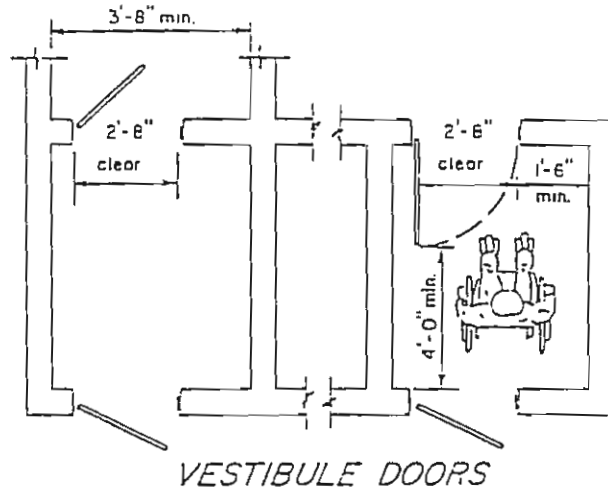
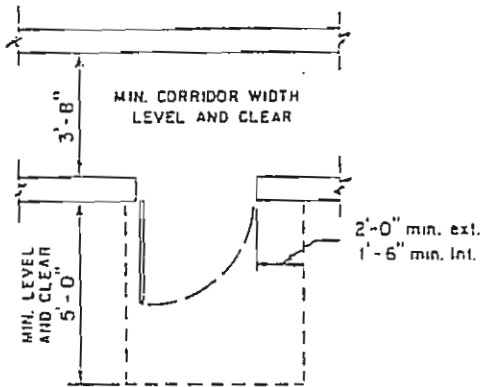
Wall mounted signs may also be located at interior end of parking space and shall be mounted a minimum of 36" above finish grade.

Off-street parking facilities shall have a sign at each street entrance or at each parking stall not less than 17" x 22" in size, in 1" high letters, as follows:

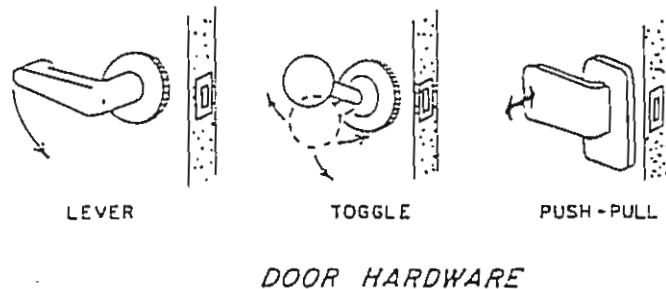
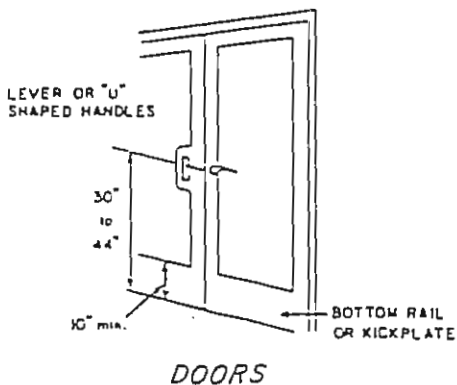
"Unauthorized vehicles parked in designated handicapped spaces not displaying distinguishing placards or license plates issued for physically disabled persons may be towed away at owner's expense. Towed vehicles may be reclaimed at Ripon Police Dept. or by telephoning 599-2102."



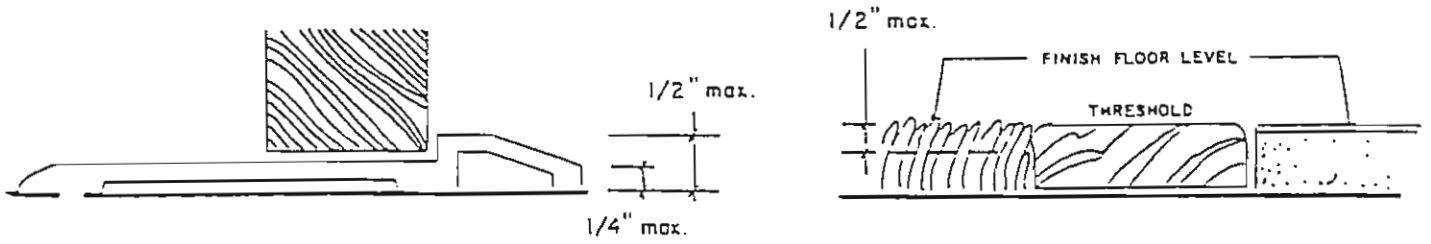
## BUILDING ACCESS



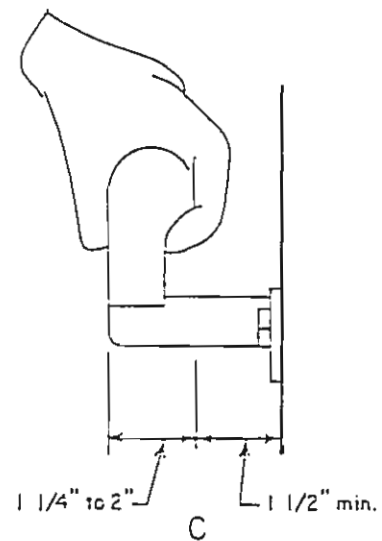
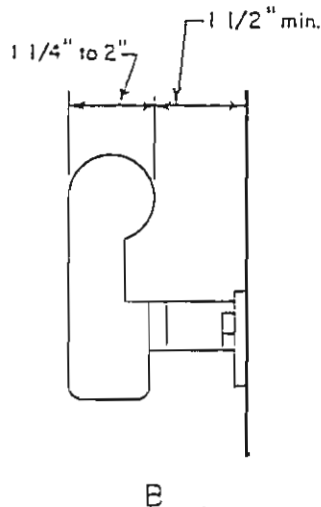
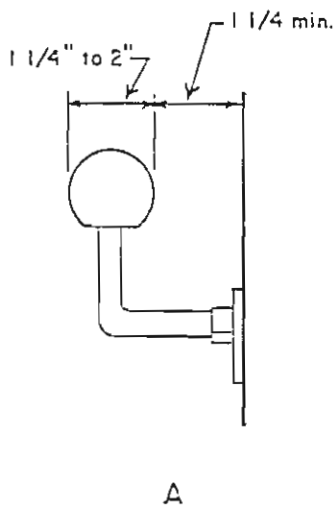
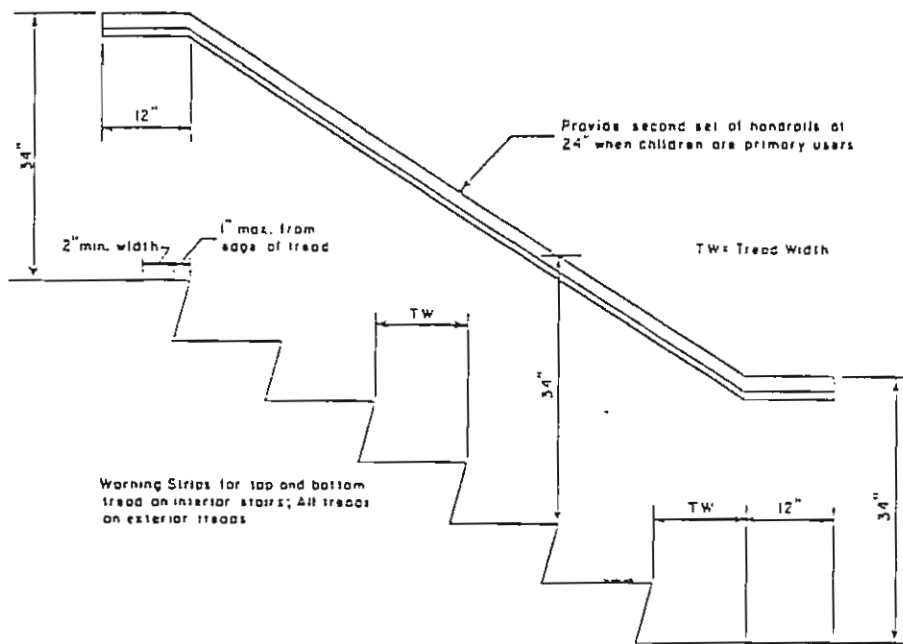
## DOOR AND DOOR HARDWARE - Section 3304 (c)



# THRESHOLDS - Section 3301 (I.1)

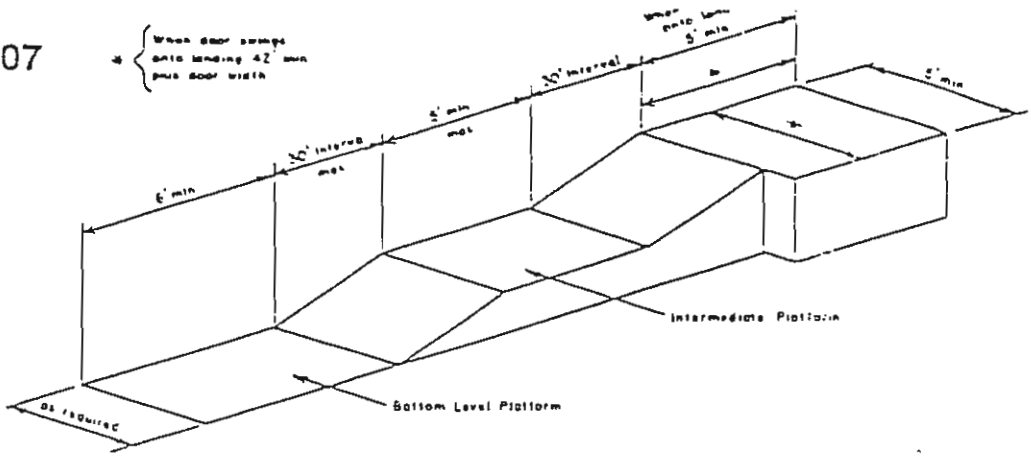


# STAIRS AND HANDRAILS - Section 3306 (j.1)



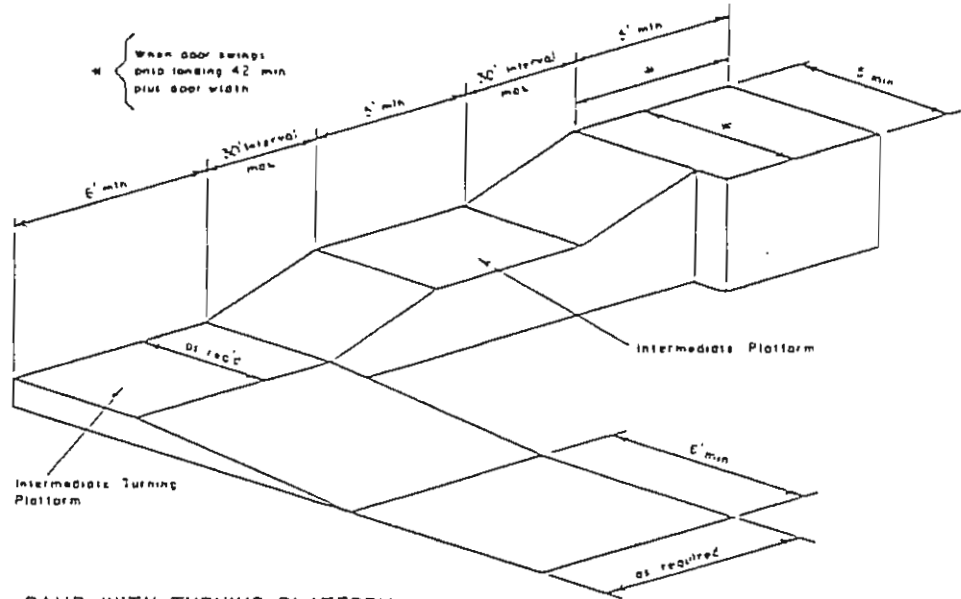
# AMP NOTES - Section 3307

1. Maximum allowable slope of a ramp is 1:12.
2. Landings are required at top and bottom of every ramp.
3. Pedestrian ramps serving primary entrances to buildings with an occupancy load of 300 or more will require 60" clear width; less than 300, width shall be 48".



STRAIGHT RAMP RUN

4. Ramps with occupancy load of less than 50 may be 36" wide. (Hotels, Apartment houses, Convents, Monasteries, and Dwellings)
5. Intermediate landings will be required to be 60" long in the direction of travel.

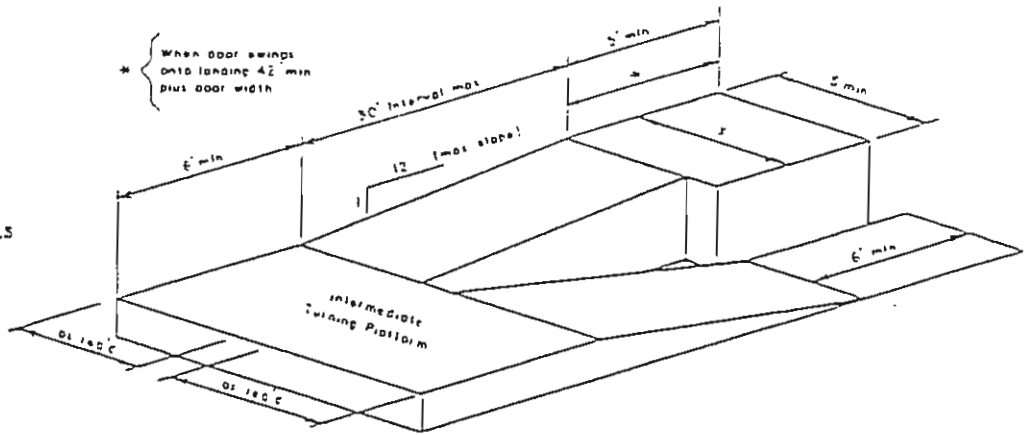


RAMP WITH TURNING PLATFORM

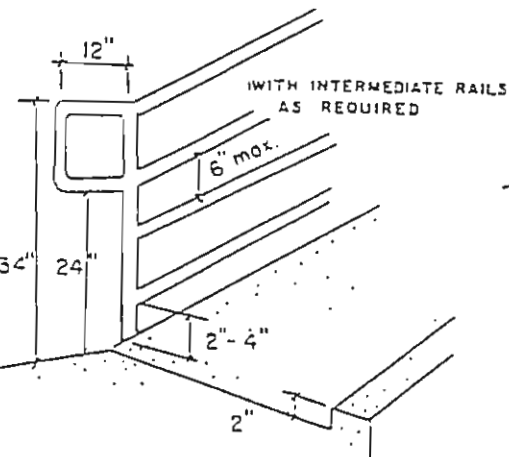
6. Handrails will be required on each side of a ramp. (Slopes exceeding 1:15)
7. Ramps with slopes of 1:16 or greater will require slip resistant finish.

Note: Examples of ramp dimension are:

| Slope | Max. Rise (inches) | Max. horizontal Projection (feet) |
|-------|--------------------|-----------------------------------|
| 1:12  | 30                 | 30                                |
| 1:16  | 30                 | 40                                |
| 1:20  | 30                 | 50                                |
| 1:15  | 30                 | 37.5                              |



RAMP WITH INTERMEDIATE SWITCH-BACK PLATFORM



HANDRAILS

\* All ramps must meet handrail and curb requirements

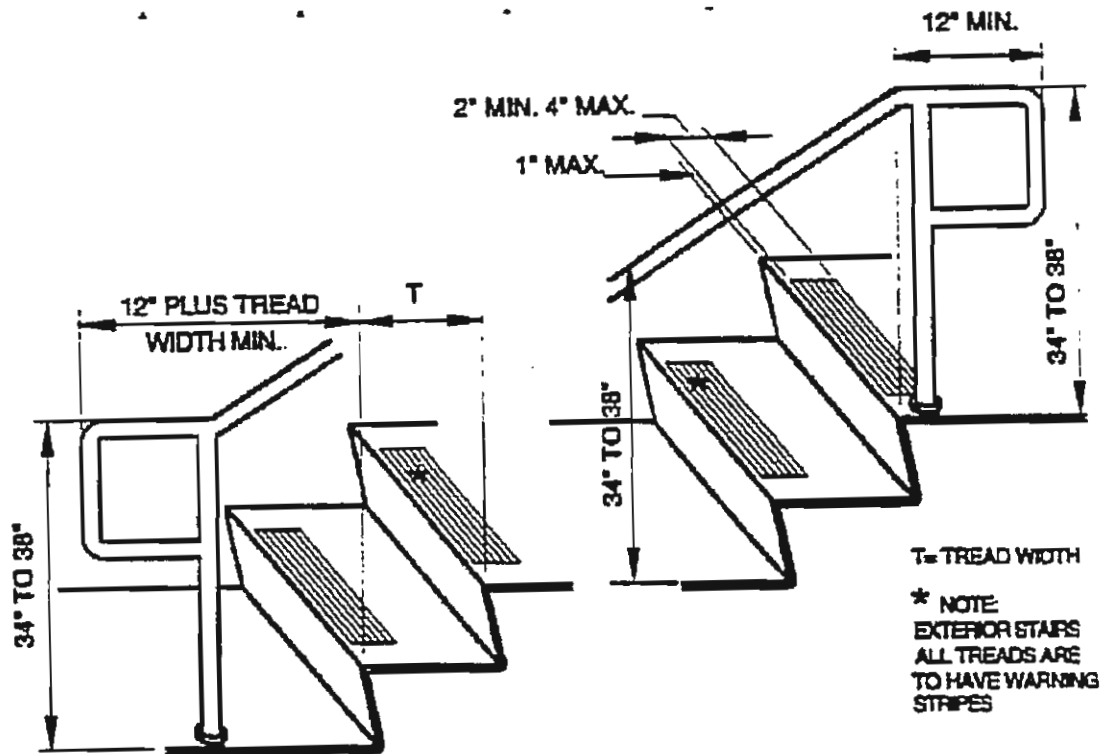


Figure 5.8 WARNING STRIPING AND HANDRAIL EXTENSIONS

1133B.4.4.

**Striping for the Visually Impaired.** For interior stairs, the upper approach and the lower tread of each stair shall be marked by a strip of clearly contrasting color at least 2 inches wide, placed parallel to and not more than 1 inch from the nose of the step or landing to alert the visually impaired. The strip shall be of material that is at least as slip resistant as the other treads of the stair.

For exterior stairways, the upper approach and all treads shall be marked by a strip of clearly contrasting color at least 2 inches wide and placed parallel to and not more than 1 inch from the nose of the step or landing to alert the visually impaired. The strip shall be of a material that is at least as slip resistant as the other treads of the stair. A painted strip shall be acceptable. **See Figure 5.8**

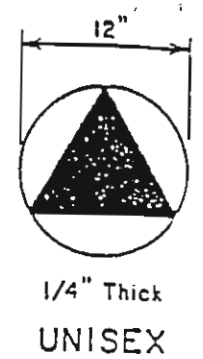
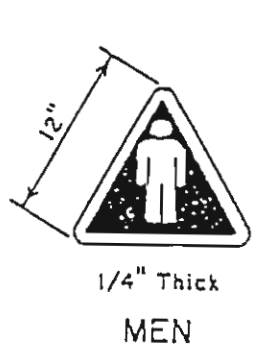
1133B.4.5.1

**Treads.** All tread surfaces shall be slip-resistant. Treads shall have smooth, rounded or chamfered exposed edges and no abrupt edges at the nosing.

Weather-exposed stairs and their approaches shall be designed so that water will not accumulate on the walking surfaces

**RESTROOM SIGNAGE - SECTION 511.1 (a.6)**

1. Characters and symbols are required to contrast with their background.
2. Symbols are to be centered on door 60" above floor and are to be distinctly different from the door in color and contrast.



**Pictorial symbol signs (pictograms).** Pictorial symbol signs (pictograms) shall be accompanied by the equivalent verbal description placed directly below the pictogram. The border dimension of the pictogram shall be a minimum of 6 inches in height.

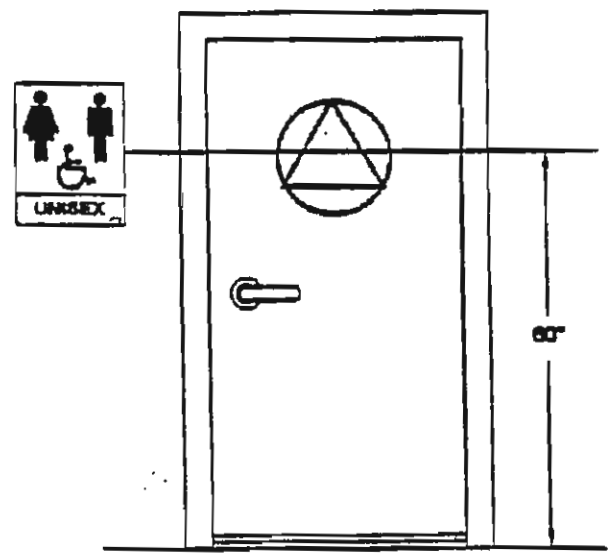
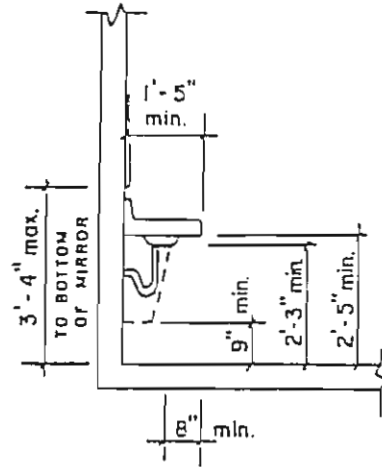


Figure 6.14a PICTORICAL SIGNAGE

## LAVATORY NOTES - Sections 511.1 (b.1) and 1504

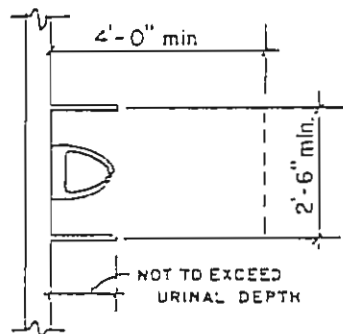
1. Provide a clear space 30" x 48" in front of lavatory. The clear space may extend into knee and toe space under lavatory.
2. Insulate or cover hot water and drain pipes under lavatories.
3. No sharp or abrasive surfaces are allowed under lavatories.
4. Faucet controls and operating mechanisms are required to be openable with one hand and cannot require grasping, pinching, or twisting of wrist. The force required to activate controls is not to exceed 5 lbs. Lever operated, push type and electronically controlled mechanisms are examples of acceptable design.
5. Self closing valves are allowed if the faucet remains open for at least 10 seconds.



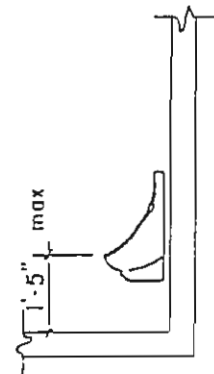
ELEVATION

## URINAL DETAIL - Sections 511.1 (b.4) and 1503

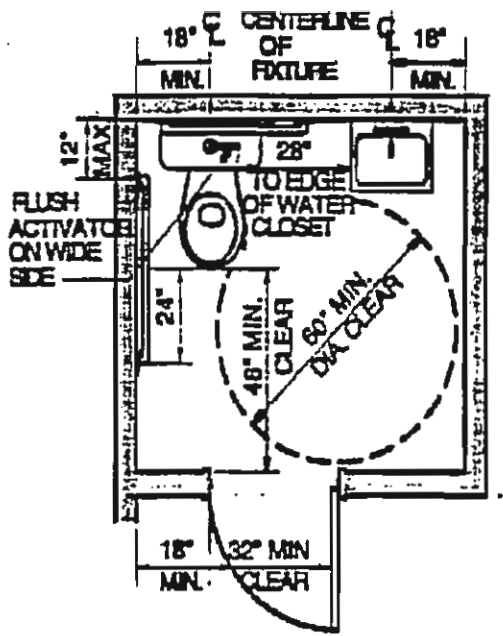
1. Provide stall type or wall hung urinals with an elongated rim at 17" maximum height. Flush controls to be hand operated are to meet same requirements as flush controls or toilet and to be no more than 44" above floor.
2. Although not emphasized in regulations, the accessible wall hung urinal should be maximum elongated rim type available.
3. Where urinals are provided at least one shall have a clear space of 30" x 48" in front of urinal.



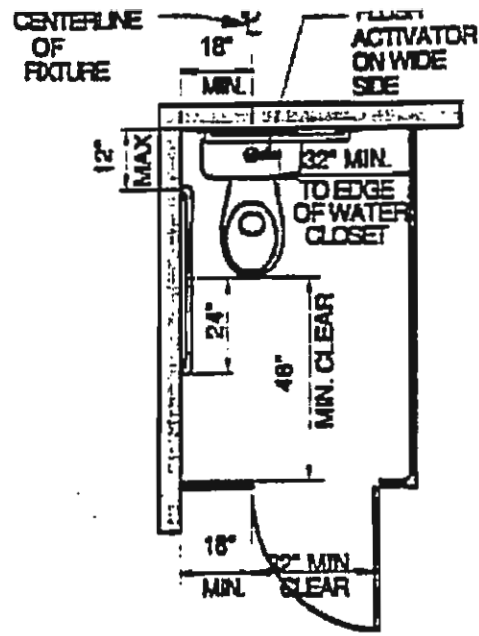
PLAN



ELEVATION



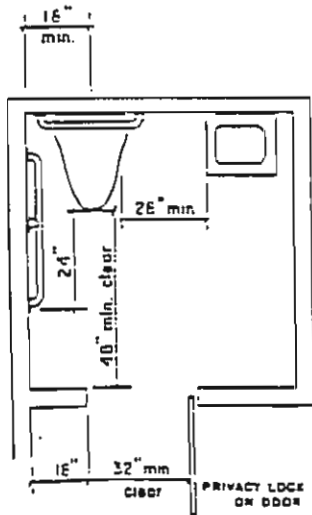
SINGLE OCCUPANCY  
TOILET



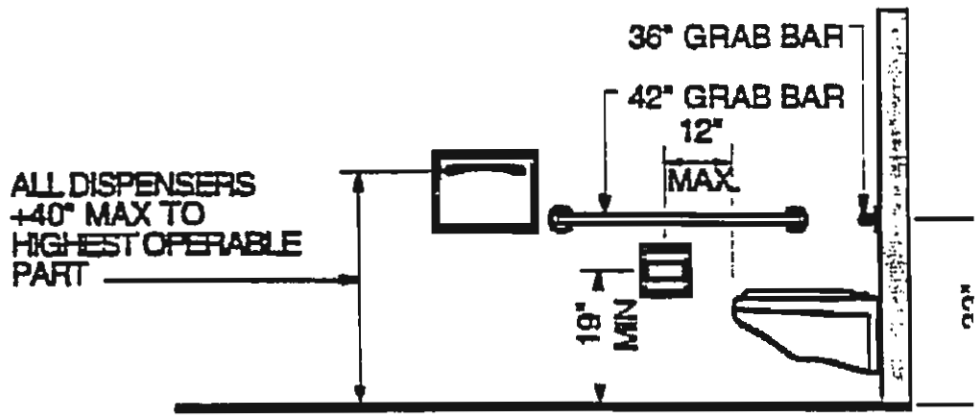
MULTIPLE TOILET  
STALL

Figure 6.7 SINGLE-ACCOMMODATION TOILET FACILITIES

1. Equip the door into the stall with auto closing device and provide a clear opening width of 32" at the end of a stall or 34" at side of stall.
2. Provide 44" wide clear path to a stall and a 48" space in front of a compartment door, measured at right angles to door.
3. In multiple accommodations, provide a space 60" in diameter and 27" high or 56" x 36" with 12" maximum intrusion by a door.



PRIVACY TOILET



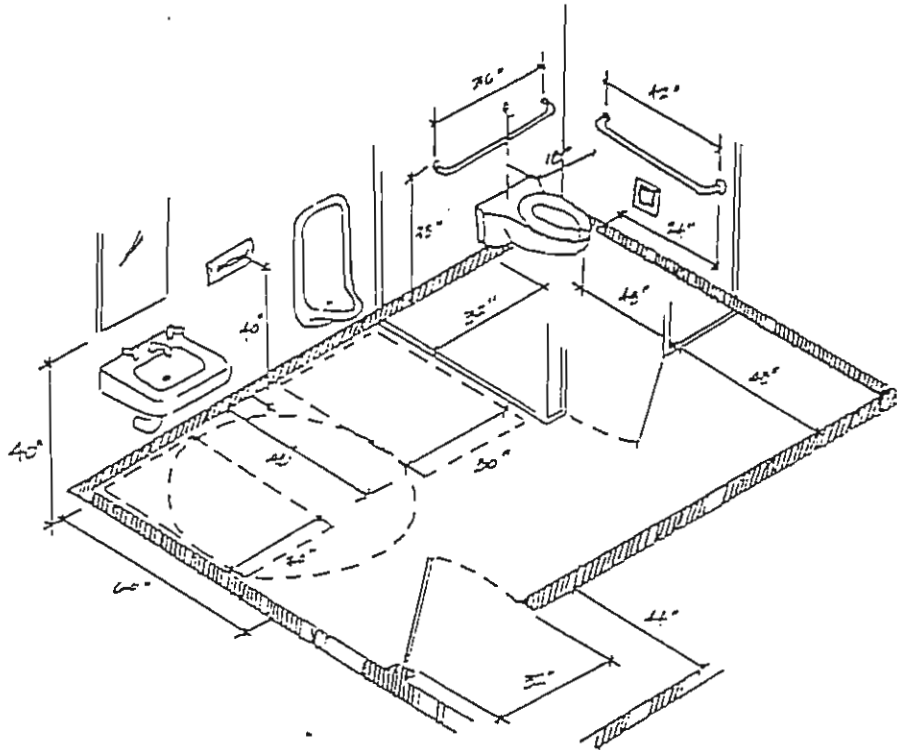
28" d Drain - d  
o + paper hold

ELEVATION  
16" from d of Drain  
to fronts of stall  
40" from d of Drain  
to top of grab bar



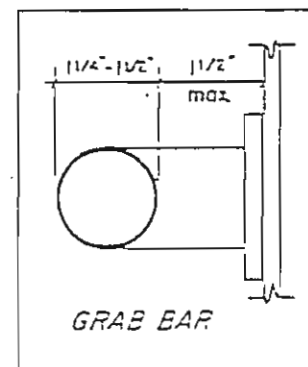
## TOILET ACCESSORY DETAIL - Section 511.1 (b)

1. Where towel, sanitary napkin and waste receptacles and similar dispensing and disposal fixtures are provided, at least one of each type is to be located with all operable parts, including coin slots, within 40" from the floor.
2. Mount mirrors with bottom edge no more than 40" from floor.
3. Locate toilet tissue dispensers on wall within 12" of front edge of toilet seat.



## GRAB BAR DETAIL - Section 511.1 (a.9)

1. Locate grab bars on each side or one side and the back of toilet, 33" above and parallel to floor bars at side to be 42" long with front end 24" in front of toilet. Bars in back to be 36" long. Diameter or width of gripping surface is required to be 1-1/4" to 1-1/2" of shape is to provide an equivalent gripping surface.
2. If grab bars are mounted adjacent to wall, the space between wall and bar is to be 1-1/2".
3. Grab bars shall not rotate.
4. Grab bars and any surface adjacent to them can not have any sharp or abrasive elements.
5. Grab bars and mountings shall withstand 250 lbs./side, 500 lbs. total weight/middle.



# LINKING FOUNTAINS - Sections 511.1 (c) and 1507

The drinking fountain shall be a minimum of 18" in depth and there shall be a clear and unobstructed knee space under the drinking fountain not less than 27" in height and 8" in depth, the depth measurement being taken from the front edge of the fountain. Additionally there shall be toe clearance of 9" in height above the floor, and 17" in depth from the front edge of the fountain. A side approach drinking fountain is not acceptable.

The bubbler shall be activated by a control which is easily operated by a handicapped person such as a hand-operated lever type control located within 6" of the front of fountain, a push bar control along the front of the drinking fountain, etc. The bubbler outlet orifice shall be located within 6" of the front of the drinking fountain and shall be within 36" of the floor. The water stream from the bubbler shall be substantially parallel to the front edge of the drinking fountain.

3. The drinking fountain shall be located completely within alcoves or so positioned as to not encroach into pedestrian ways.

