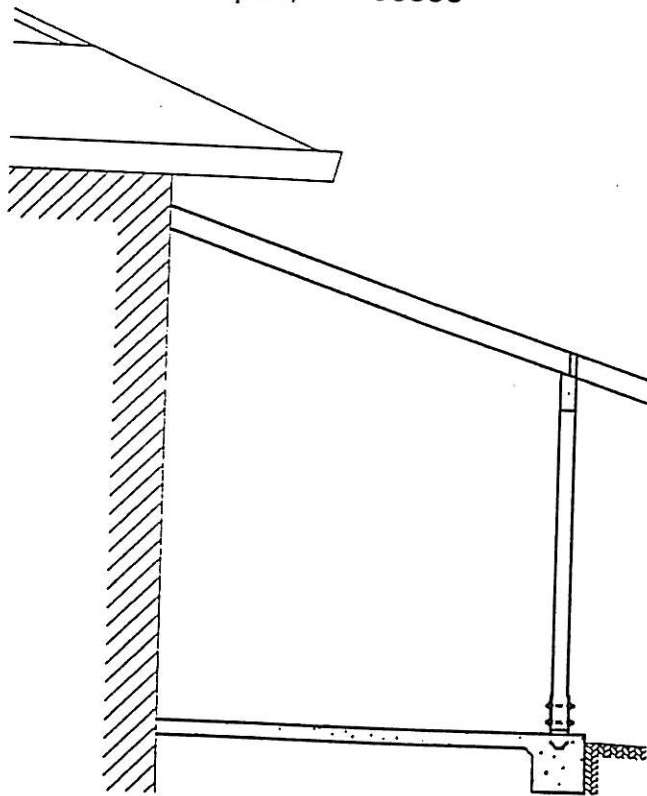




CITY OF RIPON
BUILDING DEPARTMENT

1210 S. Vera Avenue
Ripon, CA 95366



ATTACHED PATIO COVER

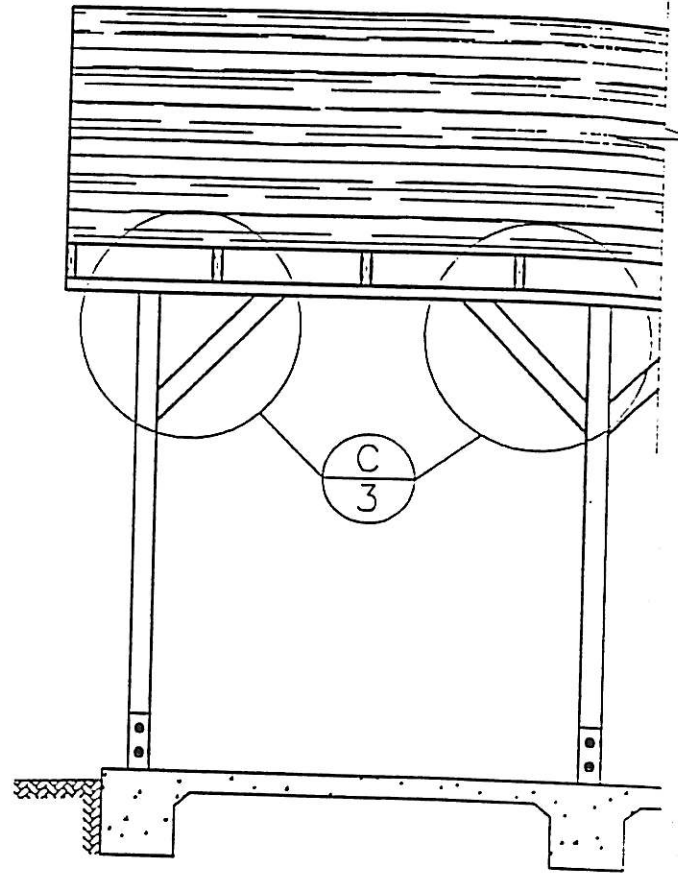
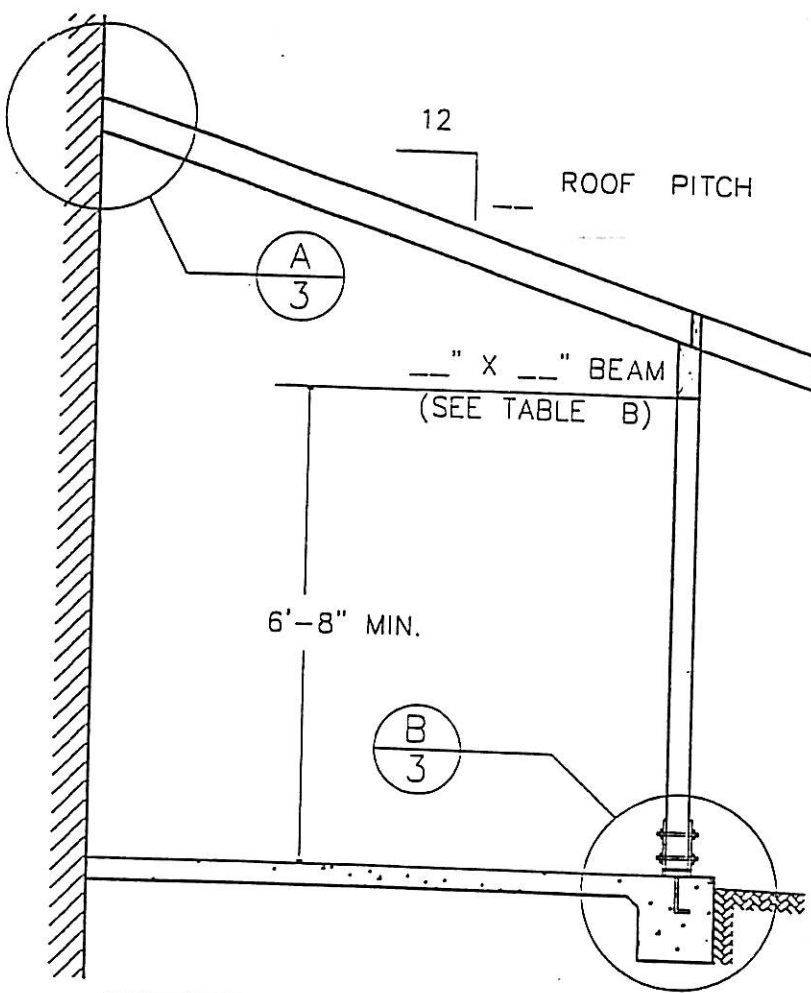


TABLE A
(ALLOW. SPANS FOR RAFTERS)

SIZE	SPACING	SPAN*
2" X 6"	12"	16'-7"
	16"	14'-4"
	24"	11'-8"
2" X 8"	12"	20"-11"
	16"	18'-1"
	24"	14'-10"
2" X 10"	12"	25'-8"
	16"	22'-2"
	24"	18'-1"

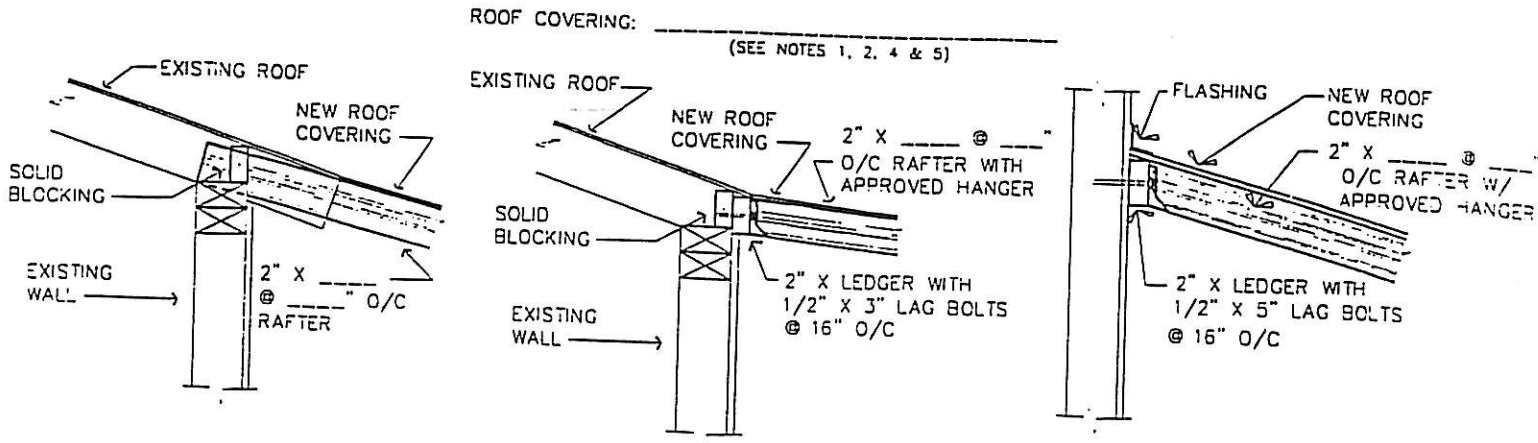
TABLE B
(ALLOW. BEAM SPANS)

SIZE	SPAN*
4" X 6"	4' TO 6'
4" X 8"	6' TO 8'
4" X 10"	8' TO 10'
4" X 12"	10' TO 12'

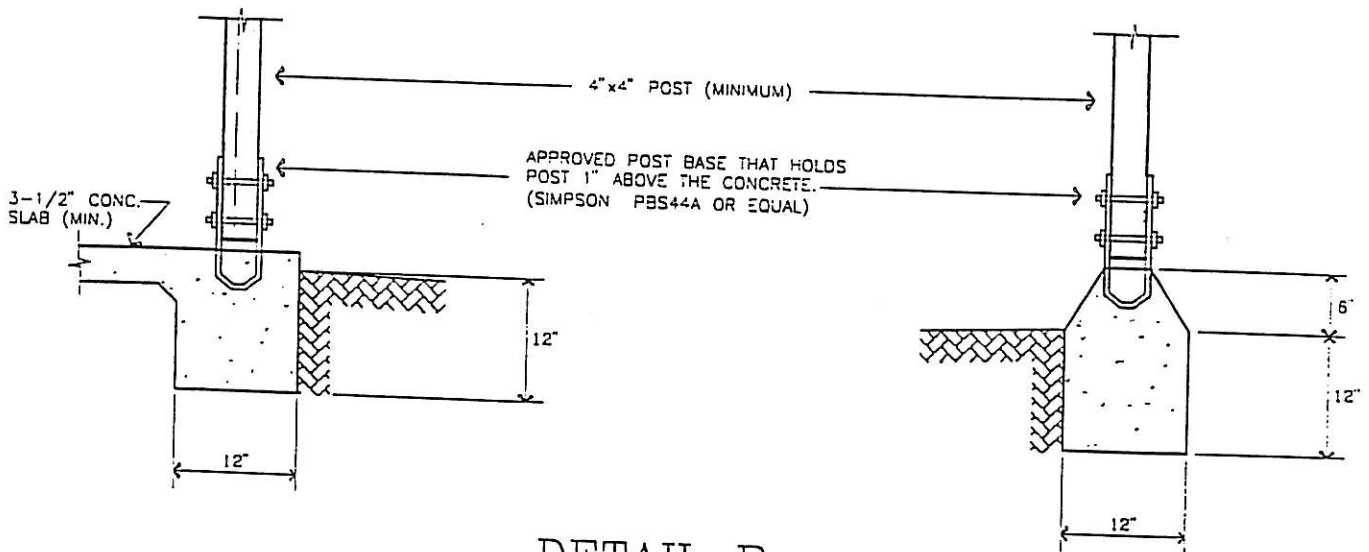
* DOUGLAS FIR LARCH 2

- 1.) THE MIN. ROOF PITCH FOR ASPHALT SHINGLES IS 4:12. ASPHALT SHINGLES MAY BE INSTALLED AT A PITCH BETWEEN 2:12 TO LESS THAN 4:12 IF TWO LAYERS OF TYPE 15 FELT APPLIED SHINGLE FASHION ARE USED AND THE SHINGLES ARE SELF-SEALING. (FOR 3:12 OR LESS, USE TABLE ON PAGE 4 FOR ALLOWABLE SPANS FOR RAFTERS).
- 2.) THE MIN. ROOF PITCH FOR 24° WOOD SHAKES IS 4:12 WITH A 10° EXPOSURE.
- 3.) PLYWOOD OR PARTICLE BOARD MUST BE CC EXTERIOR OR BETTER AND RATED FOR THE SPAN BEING USED. NAILING SHALL BE A MIN. OF BD AT 6" O/C ON THE EDGES AND 12" O/C ON THE FIELD.
- 4.) FOR ROOF PITCHES BELOW 2:12 A ROOFING SYSTEM APPROVED BY THE BUILDING OFFICIAL SHALL BE USED. (USE TABLE ON PAGE 4).
- 5.) THE DETAILS ON THIS SHEET ARE NOT MEANT TO BE USED FOR CONCRETE TILE ROOF COVERINGS.

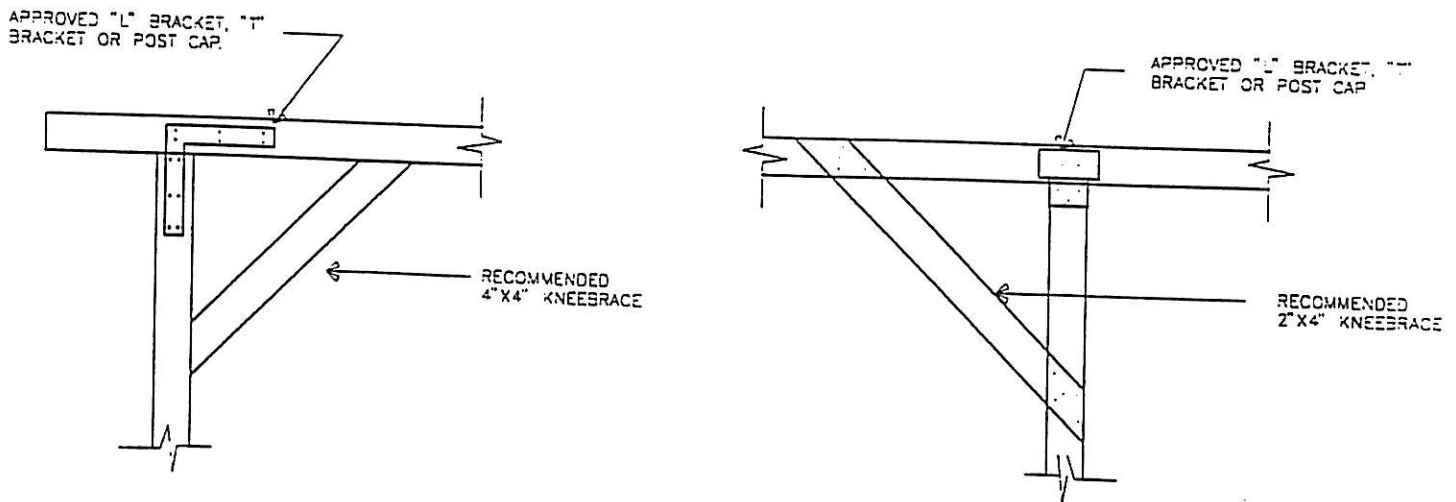
ATTACHED PATIO COVER



DETAIL A

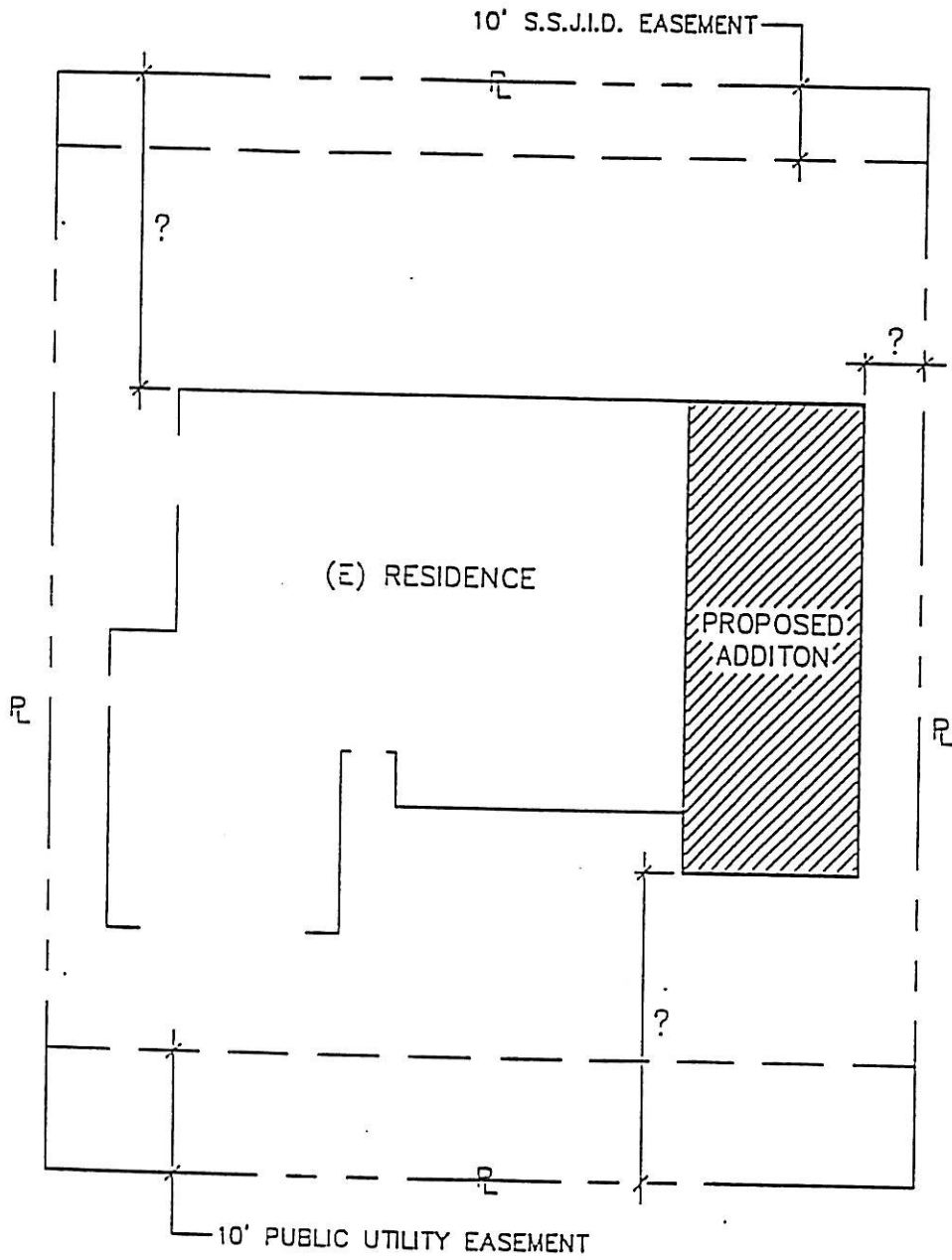


DETAIL B



DETAIL C

ATTACHED PATIO COVER



STREET NAME